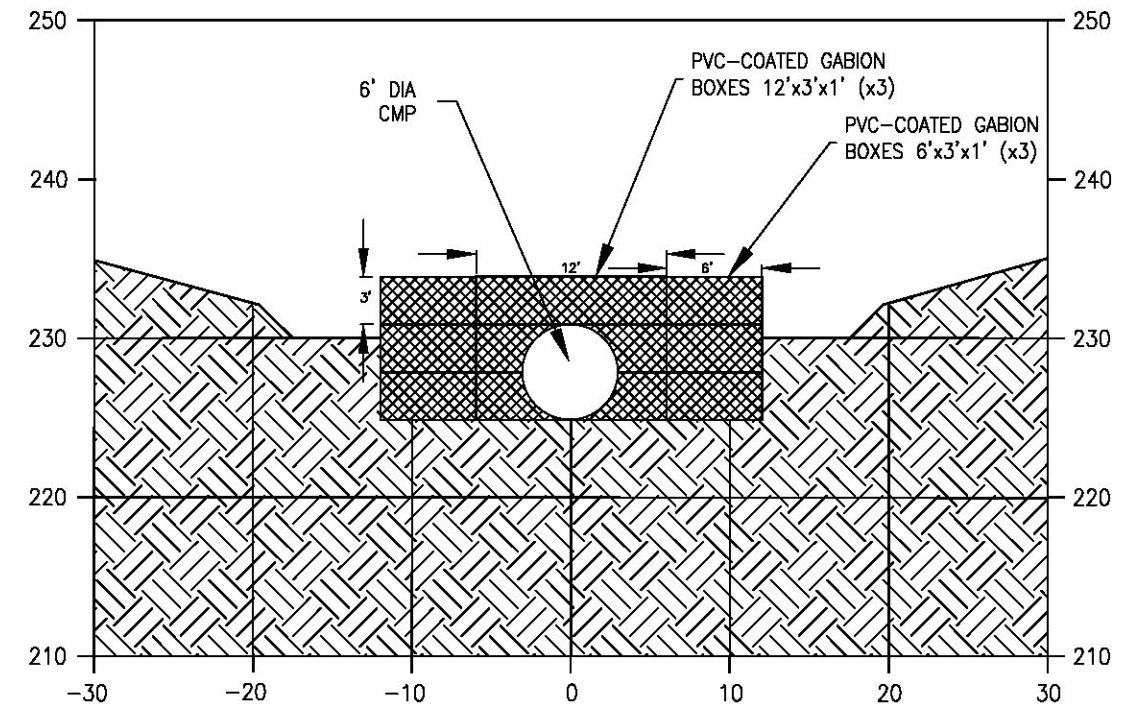


DETAIL  
TYPICAL IDEALIZED CULVERT CROSS SECTION (TYP)

3  
X

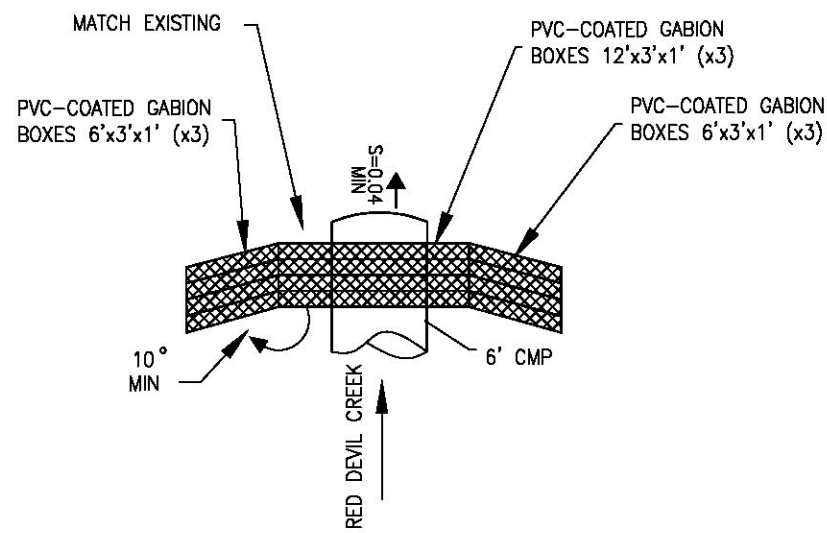
NTS



DETAIL  
IDEALIZED HEADWALL & CULVERT CROSS SECTION

4  
X

NTS



DETAIL  
PLAN VIEW OF HEADWALL & CULVERT INLET

5  
X

NTS

Prepared For:  
UNITED STATES DEPARTMENT OF THE INTERIOR  
BUREAU OF LAND MANAGEMENT  
ANCHORAGE FIELD OFFICE  
4700 BLM Road  
Anchorage, AK 99507

Prepared By:  
**Ecology and Environment, Inc.**  
720 Third Ave., Suite 1700  
Seattle, WA 98104

NO.	DATE	DWN	APP'D	DESCRIPTION	REVISIONS

	DESIGNED BY: J. JENKINS
	CHECKED BY: N. BROWN P.E.
	DRAWN BY: V. GEE

DRAFT

DRAFT

RED DEVIL MINE EECA RED DEVIL, ALASKA			
FIGURE 4 - 5: DETAIL 3,4 & 5			
ALTERNATIVE 3 - CULVERT LINER & HEADWALL			
SCALE NOTED	DATE ISSUED 11-25-13	CAD FILE NO. CHICAGO\PROJECT\START\RED DEVIL\EECA\CAD	DRAWING NO. 5 OF 7